

Model Number: XT25SC90-04
Product Line: Peerless Gold

Revision: Rev 1_0
Date: 1-Apr-10

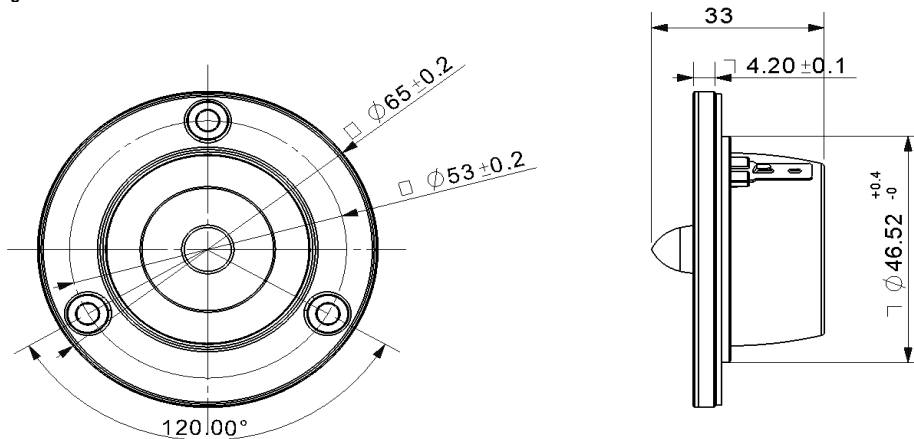


Product Description:

This member of the XT tweeter family utilizes two Tymphany technologies to deliver exceptional sound quality: the ring radiator patent, and the central waveguide patent. This model features a 4 ohm 25 mm voice coil, mounted in a neodymium magnet motor. The tweeter also features a rear chamber to create extended low frequency response. The faceplate features recessed mounting holes which minimizes reflections off of mounting screws.



Mechanical 2D Drawing:



Specifications:

DC Resistance	R_{evc}	Ω	3.2	5.0%	Energy Bandwidth Product	EBP	$(1/Q_{es})f_s$	773
Minimum Impedance	Z_{min}	Ω	3.61	7.5%	Moving Mass	M_{ms}	g	0.31
Voice Coil Inductance	L_e	mH	0.01		Suspension Compliance	C_{ms}	um/N	118.5
Resonant Frequency	f_s	Hz	825	15.0%	Effective Cone Diameter	D	cm	3.3
Mechanical Q Factor	Q_{ms}	-	7.2		Effective Piston Area	S_D	cm ²	8.6
Electrical Q Factor	Q_{es}	-	1.07		Equivalent Volume	V_{as}	L	0.01
Total Q Factor	Q_{ts}	-	0.93		Motor Force Factor	BL	T·m	2.18
Ratio f_s / Q_{ts}	F	f_s / Q_{ts}	888		Motor Efficiency Factor	β	$(T \cdot m^2) / \Omega$	1.49
Half Space Sensitivity @ 2.83V	dB@2.83V/1m	dB	90.1	+/-1.0 ¹	Voice Coil Former Material	VC _m	-	ALU
Sensitivity @ 1W/1m	1W/1m	dB	89.9	+/-1.0 ¹	Voice Coil Inner Diameter	VC _d	mm	25.8
					Gap Height	Gh	mm	2.0
Rated Noise Power (IEC 2685 18.1)	P	W	100		Maximum Linear Excursion	X _{max}	mm	0.05
Test Spectrum Bandwidth	800Hz - 20kHz		12 dB/Oct		Ferrofluid Type	FF		N/A
					Transducer Size	-	inch	1
					Transducer Mass	-	kg	0.074

1 - Piston Band Sensitivity Tolerance

Frequency and Impedance Response:

